



EKL Super Silent SI

for socket AM4, AM3(+), AM2(+) and FM1 up to 95W TDP

Optimum cooling performance for AMD processors

Product description

The EKL Super Silent SI consists of an extrusion profile and dissipates the heat of your processor ideally and reliably. Thanks to its compact height of just 60 mm, this cooler is ideal for all compact PC systems, workstations or even normal office PCs. The built-in fan has a 4-pin connection and can therefore be controlled manually via the mainboard. This enables an adjustable speed range of 700 - 1600 rpm. Thanks to the existing PWM signal, the fan operates depending on the utilisation of the CPU.

Main features

- ✓ Metal clips for easy and secure installation
- ✓ Cost-optimised aluminium design
- ✓ Quiet PWM-controlled 96 mm fan
- ✓ High-performance thermal paste

Advice & ordering:

 +49 (0)7561 9837-0

 info@ekl-ag.de



* Thermal and mechanical compatibility may vary depending on the system used
** According to manufacturer specifications

www.ekl-ag.de

EKL Super Silent SI Technical data



Cooler properties

Retail article number	21710121028
Power loss	95W TDP
Material	Aluminium
Weight	252 g
Packaging unit	12
suitable for	AMD Socket AM4 AMD Socket AM3(+) AMD Socket AM2(+) AMD Socket FM1

Fan properties

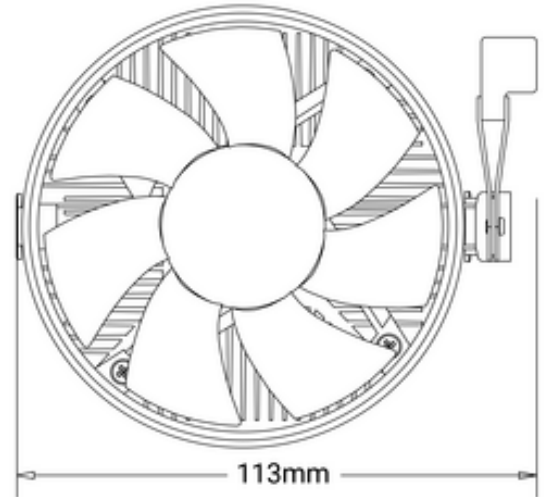
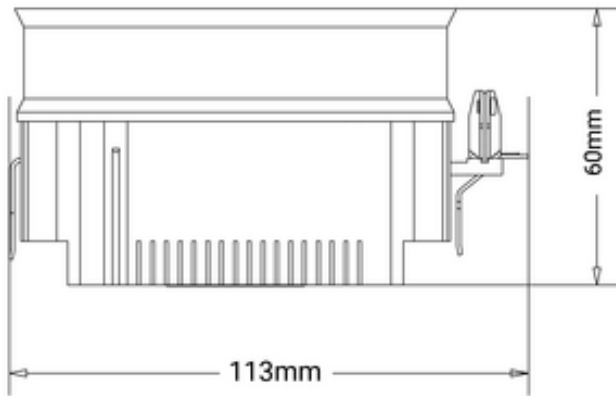
Width	96 mm
Length	96 mm
Height	25 mm
Diameter	96 mm
Speed min.	700 U/min
Speed max.	1600 U/min
Warehouse	Hydraulic bearing
Operating voltage	12 VDC
Volume flow	43.83 m ³ /h
Noise level min.	22.5 dB(A)
MTBF	25000 h bei 25 °C



* Thermal and mechanical compatibility may vary depending on the system used
** According to manufacturer specifications

www.ekl-ag.de

EKL Super Silent SI Dimensions



* Thermal and mechanical compatibility may vary depending on the system used
** According to manufacturer specifications

www.ekl-ag.de

EKL[®]
electronics cooling