



EKL Super Silent SI 3

for socket AM5, AM4 up to 130W TDP

Optimum cooling performance for AMD processors

Product description

The EKL Super Silent SI 3 dissipates the heat of your processor ideally and reliably. Thanks to its low height of just 123 mm, the Super Silent SI 3 is suitable for all standard systems and workstations. The screw mounting developed for AM5 and AM4 is particularly simple and secure: attach the cooler, tighten the 4 spring screws - done...

Main features

- ✓ Secure and stable screw mounting
- ✓ 3 x high-performance heatpipes
- ✓ Quiet PWM-controlled 92 mm fan
- ✓ High-performance thermal paste

Advice & ordering:

 +49 (0)7561 9837-0

 info@ekl-ag.de



* Thermal and mechanical compatibility may vary depending on the system used
** According to manufacturer specifications

www.ekl-ag.de

EKL Super Silent SI 3 Technical data



Cooler properties

Retail article number	21710121029
Power loss	130W TDP
Material	Aluminium + copper
Weight	440 g
Packaging unit	8
suitable for	AMD Socket AM5 AMD Socket AM4

Fan properties

Width	92 mm
Length	92 mm
Height	25 mm
Diameter	92 mm
Speed min.	500 U/min
Speed max.	1800 U/min
Warehouse	Hydraulic bearing
Operating voltage	12 VDC
Volume flow	48.25 m ³ /h
Noise level min.	22.8 dB(A)
MTBF	25000 h bei 25 °C

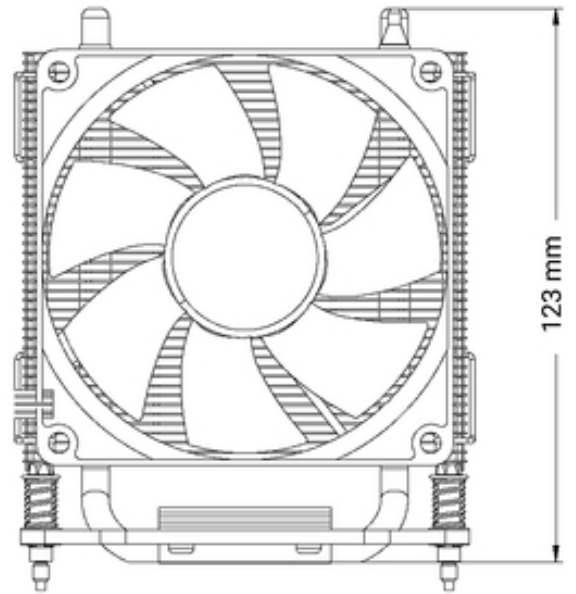
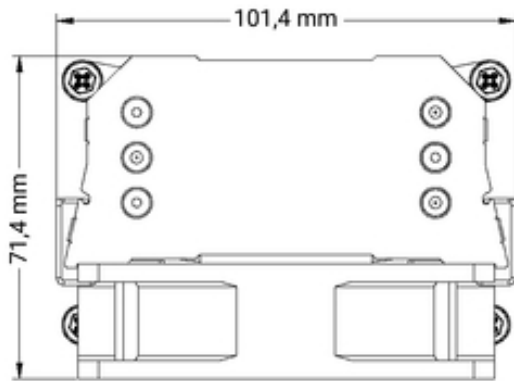


* Thermal and mechanical compatibility may vary depending on the system used
** According to manufacturer specifications

www.ekl-ag.de

EKL[®]
electronics cooling

EKL Super Silent SI 3 Dimensions



* Thermal and mechanical compatibility may vary depending on the system used
** According to manufacturer specifications

www.ekl-ag.de

EKL[®]
electronics cooling