

EKL 21923

for INTEL[®] Socket 115X, 1200 to 84W
TDP

Gigantic cooling performance for INTEL[®] processors

Product description

Thanks to its low height of just 30mm, the EKL 21923 is ideal for compact PC systems manufactured as small form factor. Especially in this size range, it is often difficult to procure a powerful and quiet CPU cooler.

The EKL 21923 masters both characteristics with flying colours. The combination of an aluminium profile with a pressed-in copper core and a PWM-controlled fan guarantees quiet and extremely effective heat dissipation.

Main features

- ✓ Robust screw mounting
- ✓ Aluminium heat sink with copper core
- ✓ High-performance thermal paste
- ✓ Quiet PWM-controlled fan

Advice & ordering:

 +49 (0)7561 9837-0

 info@ekl-ag.de



* Thermal and mechanical compatibility may vary depending on the system used
** According to manufacturer specifications

www.ekl-ag.de

EKL 21923 Technical data



Cooler properties

Retail article number	21910021023
Power loss	84W TDP
Material	Aluminium + copper
Weight	226 g
Packaging unit	24
suitable for	INTEL® Socket 115X INTEL® Socket 1200

Fan properties

Speed min.	500 U/min
Speed max.	2700 U/min
Warehouse	Ball/slide bearing
Operating voltage	12 VDC
Volume flow	52.57 m ³ /h
Noise level min.	21 dB(A)
Noise level max.	35 dB(A)
Service life L10	40000 h bei 40 °C

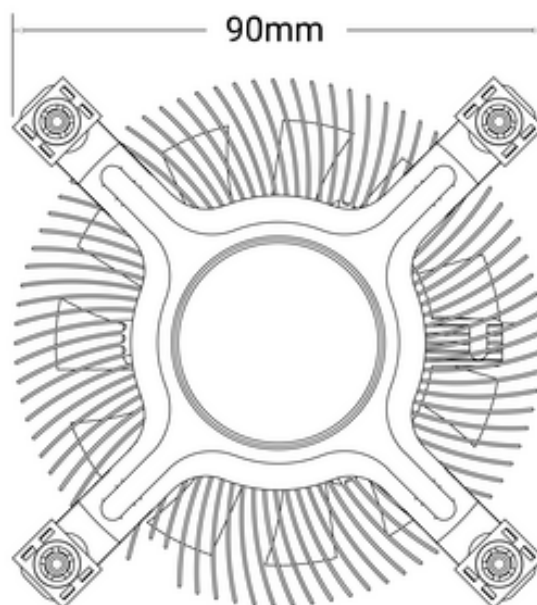
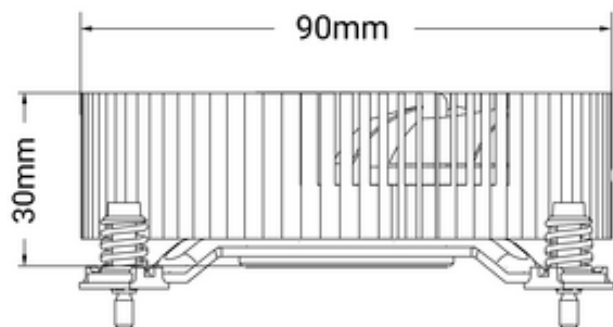


* Thermal and mechanical compatibility may vary depending on the system used
** According to manufacturer specifications

www.ekl-ag.de

EKL[®]
electronics cooling

EKL 21923 Dimensions



* Thermal and mechanical compatibility may vary depending on the system used
** According to manufacturer specifications

www.ekl-ag.de

EKL[®]
electronics cooling