



EKL 21909

for INTEL[®] Socket 115X, 1200 to 95W
TDP

Gigantic cooling performance for INTEL processors

Product description

The EKL 21909 consists of an extrusion profile and dissipates the heat of your processor ideally and reliably. Thanks to its compact height of just 60 mm, this cooler is ideal for all compact PC systems, workstations or even normal office PCs. The built-in fan has a 4-pin connection and can therefore be controlled manually via the mainboard. This enables an adjustable speed range of 900-1800 rpm. Thanks to the existing PWM signal, the fan operates depending on the utilisation of the CPU.

Main features

- ✓ Robust screw mounting
- ✓ Cost-optimised aluminium design
- ✓ High-performance thermal paste
- ✓ Quiet PWM-controlled 92 mm fan

Advice & ordering:

+49 (0)7561 9837-0

info@ekl-ag.de



* Thermal and mechanical compatibility may vary depending on the system used
** According to manufacturer specifications

www.ekl-ag.de

EKL 21909 Technical data



Cooler properties

Retail article number	21910021009
Power loss	95W TDP
Material	Aluminium
Weight	420 g
Packaging unit	30
suitable for	INTEL® Socket 115X INTEL® Socket 1200

Fan properties

Height	25 mm
Diameter	92 mm
Speed min.	900 U/min
Speed max.	1800 U/min
Warehouse	Hydraulic bearing
Operating voltage	12 VDC
Volume flow	58.94 m ³ /h
Noise level min.	17.8 dB(A)
Noise level max.	24.8 dB(A)
Service life L10	40000 h bei 40 °C

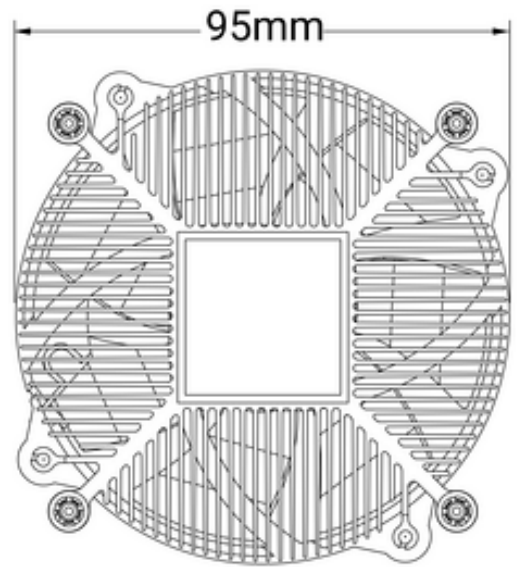
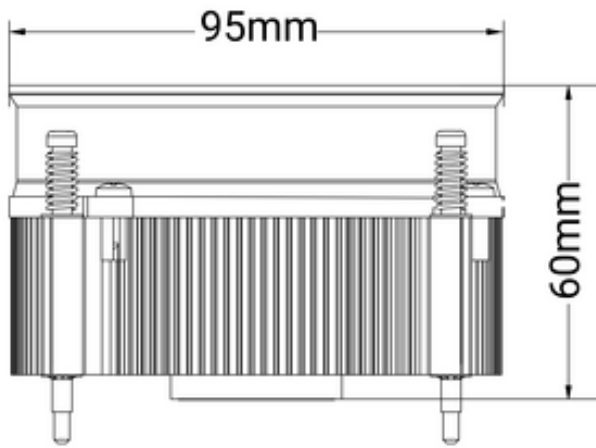


* Thermal and mechanical compatibility may vary depending on the system used
** According to manufacturer specifications

www.ekl-ag.de

EKL[®]
electronics cooling

EKL 21909 Dimensions



* Thermal and mechanical compatibility may vary depending on the system used
** According to manufacturer specifications

www.ekl-ag.de

EKL[®]
electronics cooling