



## EKL 22200

65W TDP Premium Cooler for INTEL<sup>®</sup>  
Socket LGA 17XX / 1851

### Optimum cooling performance for Intel<sup>®</sup> processors

#### Product description

The EKL 22200 consists of an extrusion profile and dissipates the heat of your processor ideally and reliably. Thanks to its compact height of just 60 mm, this cooler is ideal for all compact PC systems, workstations or even normal office PCs. The built-in fan has a 4-pin connection and can therefore be controlled manually via the mainboard. This enables an adjustable speed range of 500-1800 rpm. Thanks to the existing PWM signal, the fan operates depending on the utilisation of the CPU.

#### Main features

- ✓ Powerful top-flow design
- ✓ Simple and tool-free push-pin assembly for Intel<sup>®</sup> socket LGA 17XX
- ✓ High-performance thermal paste
- ✓ Quiet and low-vibration 92 mm PWM fan

Advice & ordering:

 +49 (0)7561 9837-0

 [info@ekl-ag.de](mailto:info@ekl-ag.de)



\* Thermal and mechanical compatibility may vary depending on the system used  
\*\* According to manufacturer specifications

[www.ekl-ag.de](http://www.ekl-ag.de)

# EKL 22200 Technical data



## Cooler properties

Retail article number	22210021000
Item number bulk	22210121000
EAN Retail	4250280329766
EAN Bulk	4250280331370
Power loss	65W TDP
Material	Aluminium
Weight	410 g
Packaging unit	27 Cooler / box
suitable for	INTEL® Socket LGA 17XX / 1851

## Fan properties

Width	100 mm
Length	100 mm
Height	60 mm
Speed min.	500 U/min
Speed max.	1800 U/min
Warehouse	Hydraulic bearing
Operating voltage	12 VDC
Volume flow	55.4 m <sup>3</sup> /h
Noise level min.	22.6 dB(A)
Service life L10	40000 h bei 40 °C

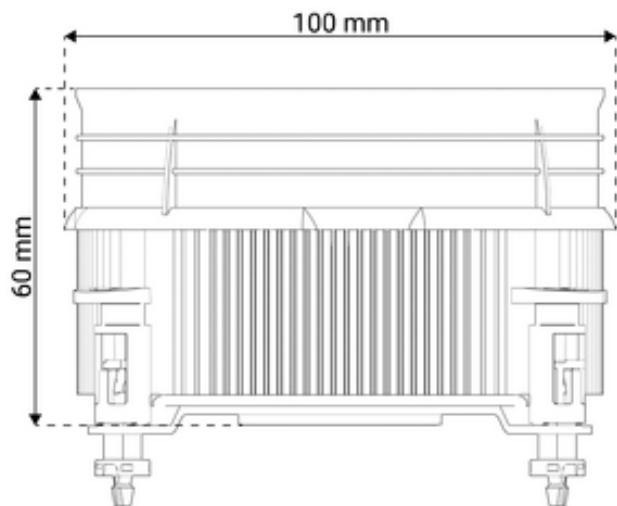


\* Thermal and mechanical compatibility may vary depending on the system used  
\*\* According to manufacturer specifications

[www.ekl-ag.de](http://www.ekl-ag.de)

**EKL**<sup>®</sup>  
electronics cooling

# EKL 22200 Dimensions



\* Thermal and mechanical compatibility may vary depending on the system used  
\*\* According to manufacturer specifications

[www.ekl-ag.de](http://www.ekl-ag.de)