



EKL 22227

180/140W TDP Premium Cooler for
INTEL[®] Socket LGA
1700/1851/1200,115x, 2066, AM5, AM4

Optimum cooling performance for INTEL[®] processors

Product description

The EKL 22227 dissipates the heat from your processor ideally and reliably. Thanks to its height of 150 mm, the EKL 222127 is suitable for all high-performance systems and workstations. The screw mounting developed for Intel[®] and AMD sockets is particularly simple and secure. The built-in fan has a 4-pin connection and can therefore be controlled manually via the mainboard. This enables an adjustable speed range of 600 - 1800 rpm.

Main features

- ✓ Powerful top-flow design
- ✓ Secure and stable screw mounting
- ✓ High-performance thermal paste
- ✓ Powerful and low-vibration 120 mm PWM fan

Advice & ordering:

 +49 (0)7561 9837-0

 info@ekl-ag.de



* Thermal and mechanical compatibility may vary depending on the system used
** According to manufacturer specifications

www.ekl-ag.de

EKL 22227 Technical data



Cooler properties

Retail article number	22210021027
EAN Retail	4250280354973
Power loss	180/140W TDP
Material	Aluminium
Weight	500 g
Packaging unit	16 Cooler / box
suitable for	INTEL® LGA 1700/1851/1200, 115x, 2066, AM5, AM4

Fan properties

Width	125 mm
Length	72 mm
Height	150 mm
Speed min.	600 U/min
Speed max.	1800 U/min
Warehouse	Hydraulic bearing
Operating voltage	12 VDC
Volume flow	129.4 m ³ /h
Noise level min.	35.2 dB(A)
Service life L10	20000 h bei 40 °C

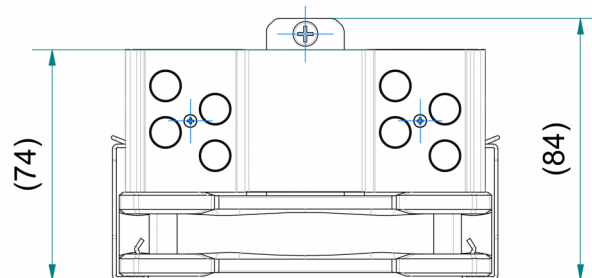
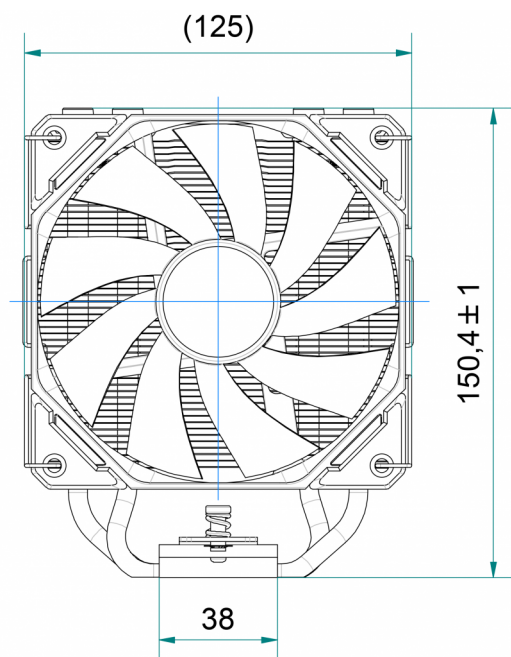


* Thermal and mechanical compatibility may vary depending on the system used
** According to manufacturer specifications

www.ekl-ag.de

EKL[®]
electronics cooling

EKL 22227 Dimensions



* Thermal and mechanical compatibility may vary depending on the system used
** According to manufacturer specifications

www.ekl-ag.de